

## Miniatur-Magnetfuß für mobile Antennenstrahler

### BESCHREIBUNG

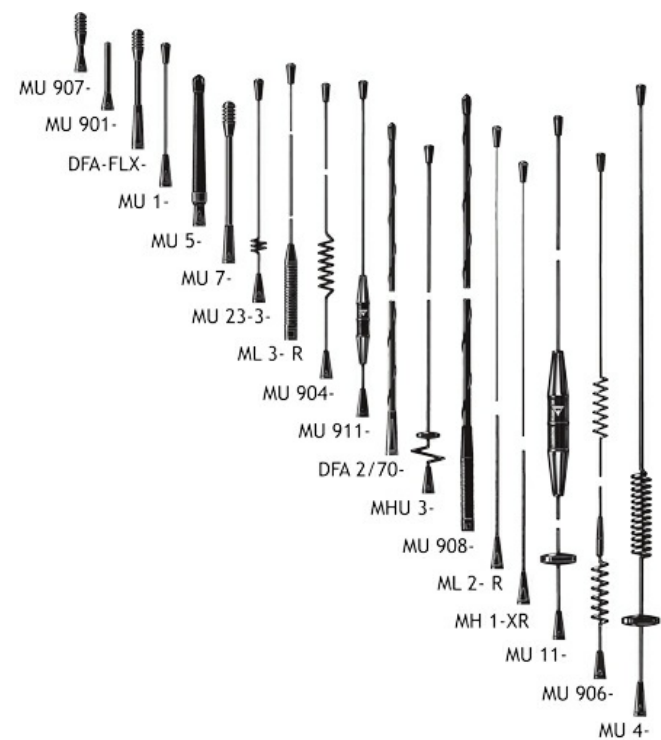
- Kleiner, flacher Magnetfuß zur Aufnahme von kurzen Antennenstrahlern (bis zu 60 cm Höhe).
- Kompatibel mit dem X-Fuß, d.h. alle X-System-Antennenstrahler können auf dem "MM" montiert werden.
- Mit FME-Anschluss versehen (FME-Kabel ist separat zu bestellen).
- Die Silikonbeschichtung des Kontaktfläche schützt das Fahrzeugdach und sichert maximale Haftung.



### SPEZIFIKATIONEN

Elektrisch DE	
Frequenz	135 - 1000 MHz
Anwendung	Magnetische Halterung für alle mobilen Antennenstrahler vom Typ X, die kürzer als 60 cm sind
Mechanisch DE	
Anschluss typ	FME-System
Materialien	Schwarz verchromtes Messing, umweltfreundlicher Kunststoff, elektrostatischer Pulverlack
Farbe	Schwarz
Abmessungen	Gesamthöhe : ca. 59 mm Durchmesser : 72 mm
Peitschenanschluss	M6 Gewindebolzen
Gewicht	ca. 0.27 kg
Montage	Mitte des Fahrzeugdachs für beste Rundumabdeckung
Max. Auto-Geschwindigkeit	Je nach Peitschenhöhe. Siehe Kurve unten

A SELECTION OF THE VARIOUS WHIPS WHICH CAN BE CONNECTED TO THE MM-MOUNT - MINIMAG (ALL SHORTER THAN 60 CM)



## BESTELLUNG

Modell	Produkt Nr
MM-Mount - MiniMag	130000351
<b>Accessories FME-Cables</b>	
1 m FME(f) to FME(f) cable	130000437
2 m FME(f) to FME(f) cable	130000447
3 m FME(f) to FME(f) cable	130000457
4 m FME(f) to FME(f) cable	130000466
5 m FME(f) to FME(f) cable	130000474
6 m FME(f) to FME(f) cable	130000483
4 m FME(f) to FME(f) cable, white	110000064
6 m FME(f) to FME(f) cable, white	110000066
12 m FME(f) to FME(f) cable, white	110000068
18 m FME(f) to FME(f) cable, white	110000069
<b>Accessories FME-Connectors</b>	
FME(f)-FME(f) Connector Adaptor	130000583
FME(m)-P(m) (Prolongation) Connector Adaptor	130000565
FME(m)-N(m) Connector Adaptor	130000571
FME(m)-SMA(f) Connector Adaptor	130000578
FME(m)-BNC(m) Connector Adaptor	130000566
FME(m)-TNC(m) Connector Adaptor	130000569
FME(m)-UHF(m) Connector Adaptor	130000572
FME(m)-MiniUHF(m) Connector Adaptor	130000573
FME(m)-MiniUHF(m)(Elbow) Connector Adaptor	130000582
FME(m)-BNC(m)(Elbow) Connector Adaptor	130000580
FME(m)-TNC(m)(Elbow) Connector Adaptor	130000581
FME(m)-SMA(m) Connector Adaptor	130000577

## FME-SYSTEM ZUBEHÖR - HINWEIS

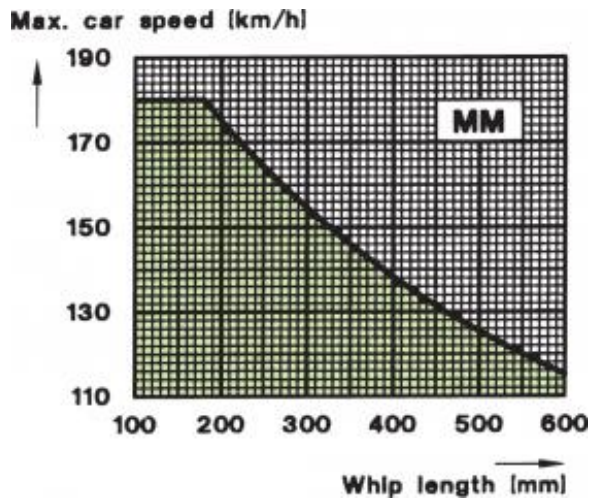
Für weitere Informationen über unsere FME-Kabel und FME-Steckern typen vergleichen Sie in den Datenblättern zu Kabel und Steckern unter Zubehör.

## BESTELLBEZEICHNUNG HINWEIS

ORDERING	
Generally	Order this magnetic base by simply asking for MM-Mount. (FME-cable and FME-connector are ordered separately).
Complete antennas can be ordered	–by BESTELLUNG X-type whips and MM separately, or –by coding MM-Mount into the antenna designation. (In this case please consult the X-mount leaflet for the particular whip type in question to check if the combination is available).

## VERWENDUNG DER MINIMAG – MM-MONTIERUNG

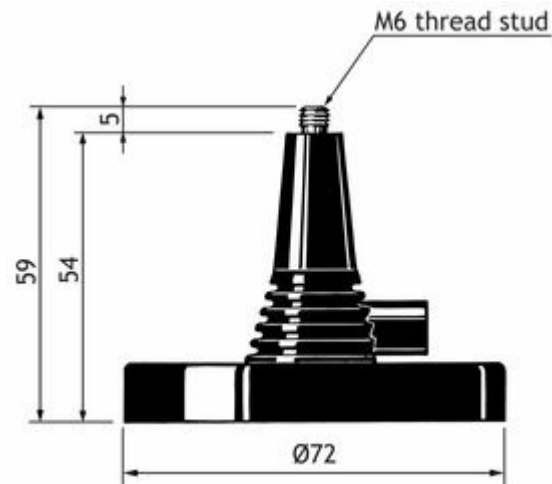
This magnetic mount is used to make an occasional antenna installation where it is not desirable to drill holes in the vehicle. A magnetic mount can advantageously serve several vehicles by shifting it from one vehicle to another. The MiniMag is provided with a thoroughly magnetized permanent ring magnet positioned in a carefully shaped magnetic circuit which yields an extraordinarily high attaching effect and makes this mount stand for very high values of bending moment and mechanical shock. A silicone layer applied to the whole contact surface protects the car roof and ensures maximum friction.



## INSTALLATION

The magnetic mount should be mounted in the middle of the vehicle roof or rear locker to produce best omnidirectional coverage.

TUNING	
Below 400 MHz	Use the cutting diagram for the corresponding X-mount model using the same type of whip as a guide while using an VSWR-meter to tune the whip.
Above 400 MHz	Whips tuned by cutting: Use an VSWR-meter. Whips tuned with disc: Adjustment diagram accompanies the antenna.



## BITTE BEACHTEN

For safety reasons:

Do not operate the MiniMag with antenna whips longer than 60 cm. Please respect the maximum car speed limit corresponding to a particular whip length as appears from the curve on page 1 of this leaflet. For safety reasons:

Do not operate the MiniMag with antenna whips longer than 60 cm. Please respect the maximum car speed limit corresponding to a particular whip length as appears from the curve on page 1 of this leaflet.

